

INDUSTRIAL



SWAN HOUSE HOSPITAL ST BIRMINGHAM B19 3PY

SMALL INDUSTRIAL UNIT / STORAGE

TO LET

UNIT 45, MANOR INDUSTRIAL ESTATE, Pleck Road



920 SQFT APPROX LOW RENT

DIRECTLY OPPOSITE TO NEW ENTRANCE OF NEW NHS MANOR HOSPITAL

- **THREE PHASE AND SHUTTER ACCESS**
- **WITH PARKING ON SITE.**
- **NEARBY occupiers include Al Murad Tiles, Jewsons, Go Natural Wood, Leyland, Coffee Bar.**

propertylinkmidlands.co.uk



DESCRIPTION

The premises comprise an existing steel portal frame building with part brick and steel profile clade elevations and vehicular access off Pleck Road with one shutter door. The floor area is approximately 920 sqft. The premises have new roofs, with ample parking on sight. Shutter access door approx. 12 ft in height, Secure GATED ESTATE.

LOCATION

The premises are situated on an established trade park off Pleck Rd, less than a 1/2 mile from J9 M6 and 1 mile from J10 M6 connecting with Black Country Route towards Wolverhampton. The property is also directly in front of new Skanska built pfi initiative NHS MANOR HOSPITAL. Occupiers in the area include AL Murad Tiles, Travis Perkins, Kitchen & Bathroom Warehouse, Leyland Paints etc

PLANNING

The property is situated within an existing employment area and would be suitable for warehouse / light industrial and general industrial uses subject to planning confirmation. Interested parties are advised to contact the local authority themselves.

PRICE

£175 per week. Subject to negotiation. PLEASE CALL FOR FURTHER INFO.

AMENITIES

- All usual main services including electricity water and drainage are available to the property including kitchen and toilets.
- Property Link has not checked and does not accept responsibility for any of the services within this property. any in-going tenant or occupier satisfies themselves in this regard.

LEGAL COSTS

Landlord offers a free no charge simple in out lease agreement for immediate access. Solicitors may be used if needed.

VIEWING

Strictly by appointment only.

Sunny Singh 0121 200 3377

sunnysingh@propertylinkmidlands.co.uk

Misrepresentation

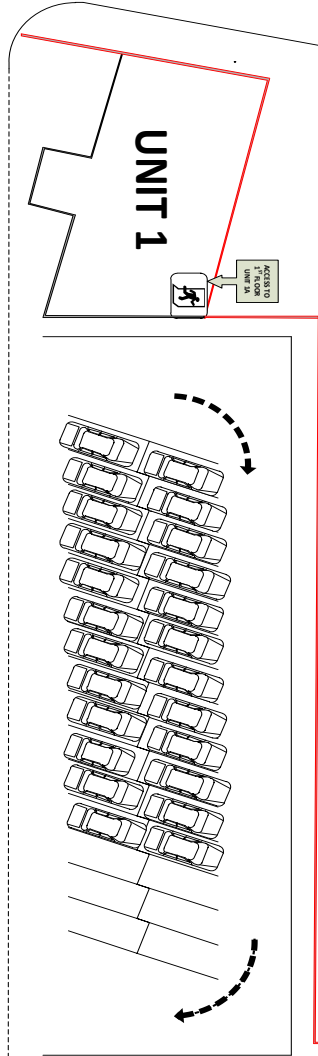
Property Link Midlands Ltd and its joint agents, give notice that these particulars are set out as a general outline only for the guidance of intending purchasers or lessees, and do not constitute any part of an offer or contract. Details are given without any responsibility and any intending purchasers, or lessees or Third Party should not rely on them as statements or representations of fact, but must satisfy themselves by inspection or otherwise as to the correctness of each of them. No person in the employment of Property Link Midlands Ltd, or its joint agents, has any authority to make any representation or warranty whatever in relation to this property.

NEW NHS MANOR HOSPITAL

A 4148

PLECK ROAD

MANOR IND ESTATE
PLECK RD.
WALSALL
WS2 9XX
NOTE: PLAN FOR I.D. ONLY
PLAN NOT TO SCALE



ROAD

